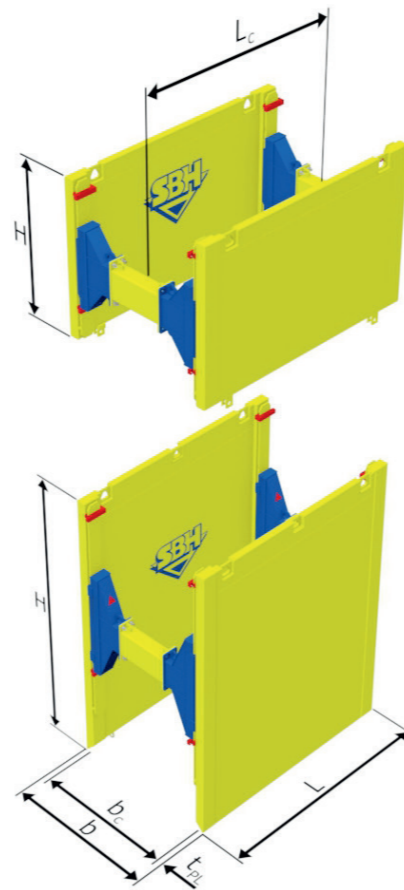


ROLLING STRUT BOX 780er series

With SBH's Rolling Strut Box, you have a shoring box that also brings with it the advantages of rolling strut shoring. When laying longer pipes, the rolling struts can be arranged so their heights are offset, enabling the pipes to be fed in.

- ▶ Plates supported by means of rolling struts
- ▶ Pipe clearance heights infinitely adjustable
- ▶ Various working widths thanks to distance pieces
- ▶ Plates and rolling struts are pushed together simultaneously
- ▶ Also ideal for use with liquid soil
- ▶ Low degree of subsidence due to parallel lowering of the shoring system



PLATES $t_{pl} = 86.00 \text{ mm}$

| Plate length L [m] | Plate height H [m] | Pipe clearance length L_c [m] | Pipe clearance height h_c [m] | Permissible earth pressure [kN / m ²] | Limit state design load e_d / Characteristic system resistance R_k [kN/m ²] | Weight per box [kg] |
|--------------------------|--------------------------|---------------------------------------|---------------------------------------|--|---|------------------------|
| 3.15 | 4.00 | 2.70 | 2.78 | 33.9 | 50.9 | 3735.0 |
| 4.00 | 3.15 | 3.55 | 1.93 | 33.1 | 49.7 | 3535.0 |

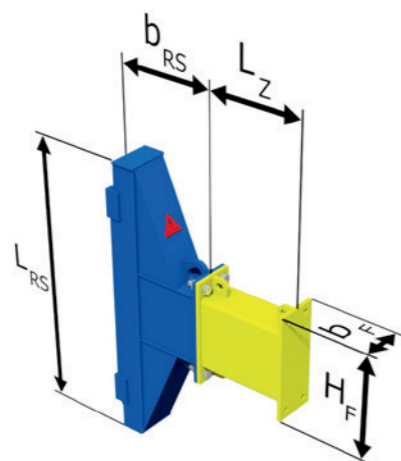
Other lengths or custom variants upon request.

ROLLING STRUTS (RS)

| RS length L_{RS} [m] | RS width b_{RS} [m] | Min working width b_c [m] | Min trench width b [m] | Flange dimensions $b_f \times h_f$ [mm] | Permissible forces [kN] | Weight per RS pair [kg] |
|------------------------------|-----------------------------|-----------------------------------|------------------------------|---|----------------------------|----------------------------|
| 1.50 | 0.50 | 1.17 | 1.37 | 220.00 x 560.00 | -112.0 bis 242.0 | 360.0 |

DISTANCE PIECE

| Length L_z [m] | Weight [kg] |
|------------------------|----------------|
| 0.25 | 62.0 |
| 0.50 | 84.0 |
| 0.75 | 105.0 |
| 1.00 | 126.0 |
| 1.50 | 168.0 |
| 2.00 | 211.0 |



ACCESSORIES

You can find the accessory parts

- ▶ 4-fold chain with shortening system
- ▶ Protection rail
- ▶ Spanner

for the Rolling Strut Box 780 series on pages 88–91.

